

# WALL TRANSMITTER OPERATION AND INSTALLATION INSTRUCTIONS

(Please keep this instruction pamphlet.)

## IMPORTANT

YOU MUST SET CEILING FAN MANUAL SWITCH TO HIGH SPEED AND THE LIGHT KIT TO THE ON POSITION BEFORE INSTALLING THE REMOTE CONTROL.

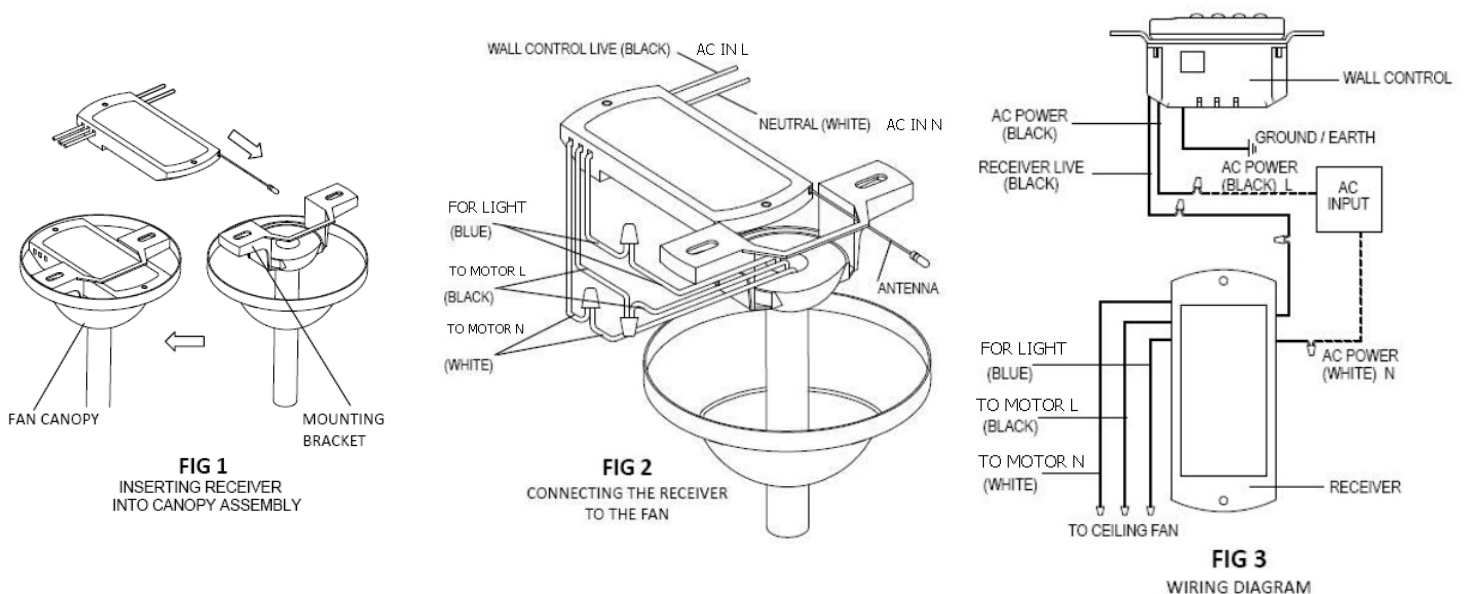
## IMPORTANT POINTS TO REMEMBER:

1. Read and save these instructions.
2. Please note that all fixed wiring appliances should be installed by a qualified electrician.
3. The supply to the remote control receiver should be connected through a mains switch, i.e. existing wall switch.
4. Disconnect from power supply at wall switch before working on remote control receiver or ceiling fan.
5. Install receiver into the ceiling fan canopy of the fan to ensure proper protection.
6. This unit is to be used for the control of ceiling fan and in an AC110/120V 60Hz power supply only.
7. Do not install in **wet/damp** locations or immerse in water.
8. Do not pull on or cut leads shorter.
9. Do not drop or bump the unit.
10. PLEASE NOTE: The battery will weaken with age and should be replaced before leaking takes place as this will damage the transmitter. Dispose of used battery properly, keep the battery out of reach of children.
11. CAUTION: To reduce the risk of fire or injury, do not use this product in conjunction with any variable (rheostat) wall control.


## INSTALLATION INSTRUCTIONS

CAUTION: INCORRECT WIRE CONNECTION WILL DAMAGE THIS RECEIVER.

1. Ceiling fan must be set at HIGH speed before installation.
2. Once the connection has been made, the receiver inserts into the drop rod hanging bracket. The canopy comes up to cover the receiver and bracket.



## ACTIVATING THE LEARNING PROCESS

1. After installation is complete, AC power is turned on and  SWITCH is at ON position within 30 seconds, press and hold the **LEARN** button for 3 seconds. Fan will turn on at medium speed and light (if installed) will turn on. This confirms that the SMART SYNC setting is active and ok. (FIG. 4)
2. If user cannot finish the setting within the 30 seconds time frame, the main power must be turned off and re-started again. This will reset the unit. Repeat step 1 until the LEARNING feature is activated as indicated.

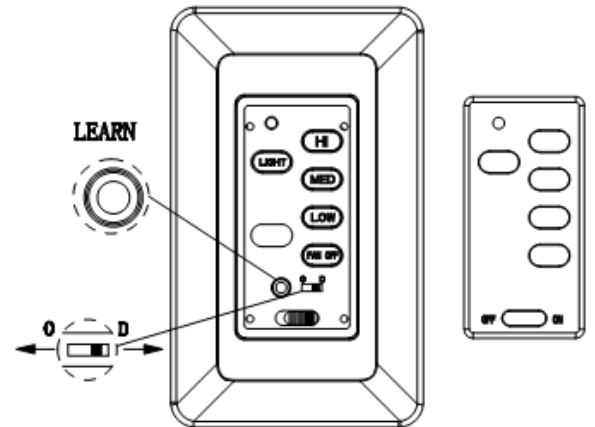


FIG. 4

## LIGHT FUNCTION SELECT SWITCH

1. If the ceiling fan has fluorescent lighting, please slide the “light function select switch” to “O” position. If the ceiling fan has incandescent or halogen lighting, please slide the “light function select switch” to “D” position. (FIG. 4)
2. Light load: 190W (Max.) If overloaded, the receiver will cut off light power automatically. Please change the light load.

## WALL TRANSMITTER OPERATION (FIG. 5)

FAN OFF : Turn off the ceiling fan.

HI : Turn on the fan at high speed.

MED : Turn on the fan at medium speed.

LOW : Turn on the fan at low speed.

LIGHT : ON/OFF-Turn the light on or off.

DIMMER-Press and hold to dim or brighten light to the desired level and release.

(Incandescent or halogen only and light function select switch Or on “D” position.)

REV : Press this button for forward/reverse airflow of ceiling fan.

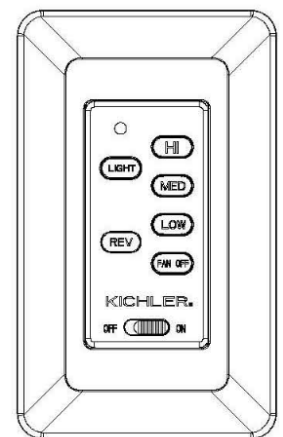



FIG. 5

AC POWER ON/OFF SWITCH(  ): Before installing

wall control, slide to “OFF” position. After installation is complete, slide to “ON” position to begin operation.

## Installing Wall Control (TRANSMITTER):

Remove wall plate, disconnect and remove the toggle switch from wall junction box. Using the wire connectors, make the electrical connections to the wall control (transmitter) unit. Carefully push all connected wires inside wall switch box. Secure wall control unit with 2 screws previously removed. Face plate will snap onto the transmitter.

